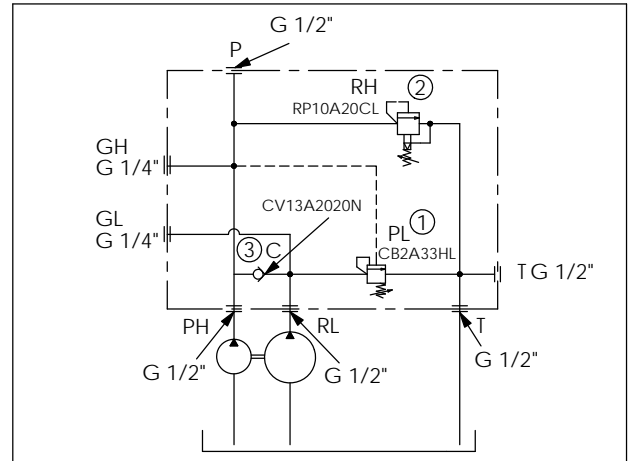


Ordering Code: **ML-60-HLP-G04-X 01**

UNIT:mm



TECHNICAL DATA

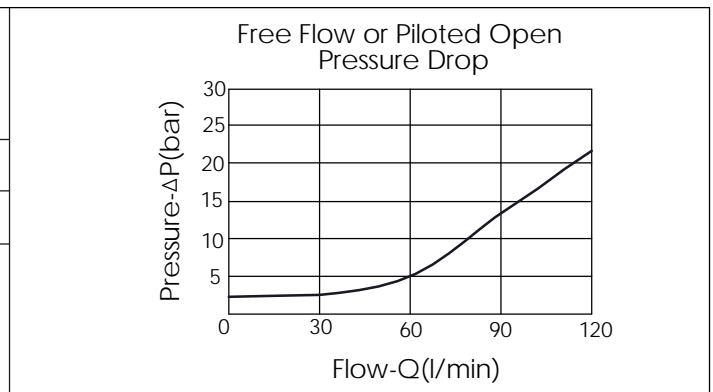
Aluminum Body Pressure Rating: 210 bar
 Ductile Iron Body Pressure Rating: 350 bar

Cavity:
 Refer to CB2A33HL
 CV13A2020N
 RP10A20CL
 * Refer to Winner Cartridge Valve Catalog.

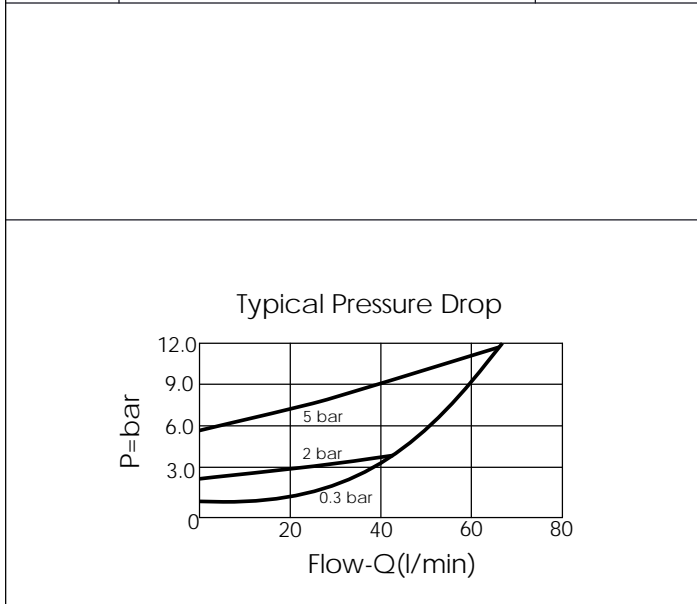
Aluminum	1.36 kg(WITHOUT VALVES) 1.9 kg(INCLUDE VALVES)
Ductile Iron	5.5 kg(WITHOUT VALVES) 6.04 kg(INCLUDE VALVES)

* If you need the special specification. Please contact us.

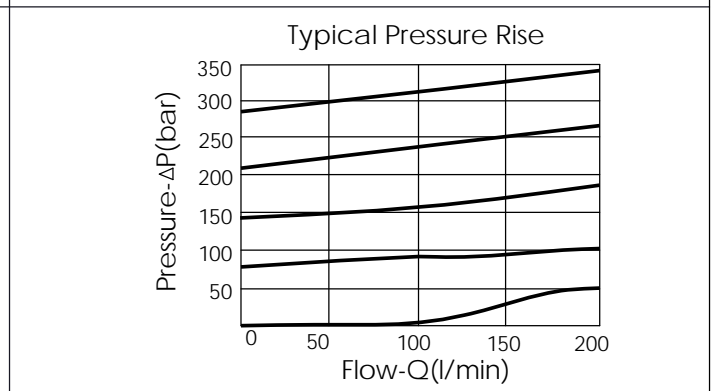
X	BODY MATERIAL
A	HIGH-STRENGTH ALUMINUM
S	DUCTILE IRON



COUNTERBALANCE VALVE:CB2A33HL



CHECK VALVE:CV13A2020N



RELIEF VALVE:RP10A20CL