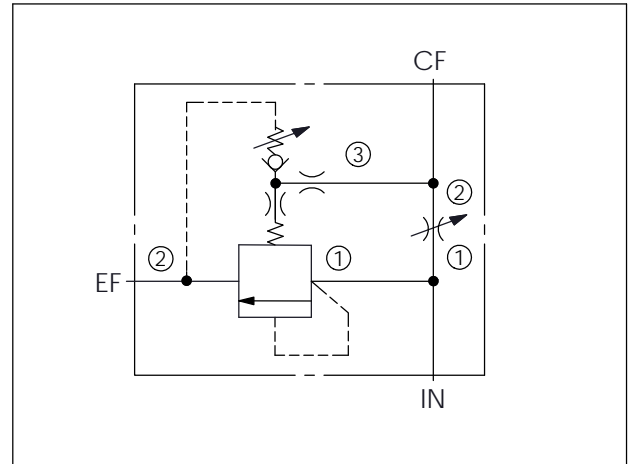
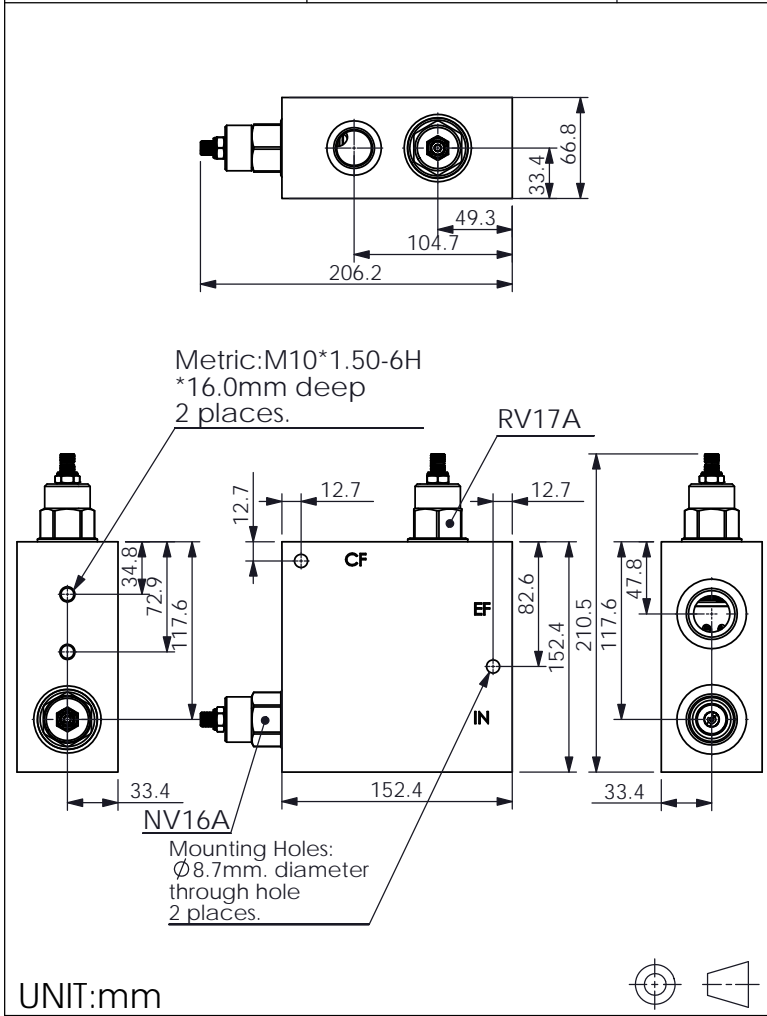
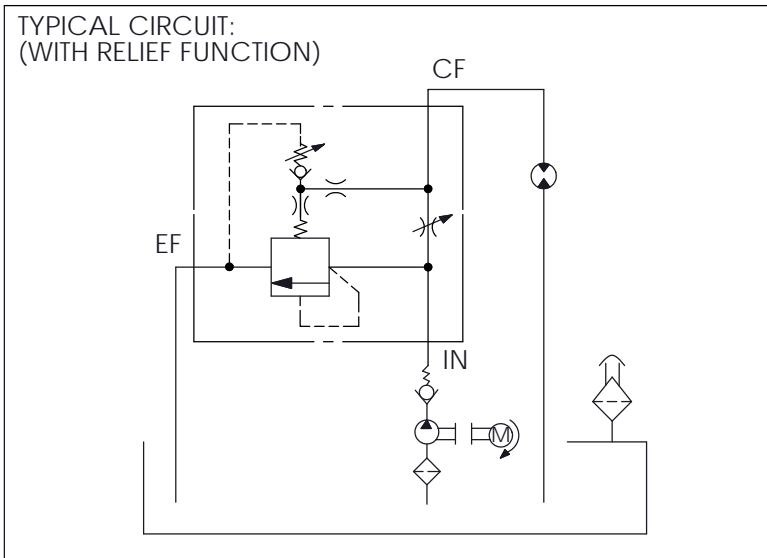


Ordering Code: **ML-240-FRW-X-Y-Z-A01**



TECHNICAL DATA	
Aluminum Body Pressure Rating:	210 bar
Ductile Iron Body Pressure Rating:	350 bar
Rated flow:	240 LPM
Cavity: Refer to 16A2 17A3 * Refer to Winner Cartridge Valves Catalog.	
Aluminum	4.6 kg(INCLUDE VALVES)
* If you need the special specification. Please contact us.	



X	NEEDLE VALVES	
16A2	WITHOUT VALVE	
NV175	NV16A28175L	
The selection is only example. Please refer to Winner Cartridge Program and to select the appropriate valves and manifolds assembly in accordance with request function (flow 、 pressure 、 ... etc.)		

Y	BYPASS COMPENSATOR	
17A3	WITHOUT VALVE	
RV0A	RV17A3BAL(160LPM, ΔP=8bar)	

Z	PORT SIZE	
	PORTS IN,EF	PORT CF
G08	G 1"	G 3/4"

The selection is only example. Please refer to Winner Cartridge Program and to select the appropriate valves and manifolds assembly in accordance with request function (flow 、 pressure 、 ... etc.)