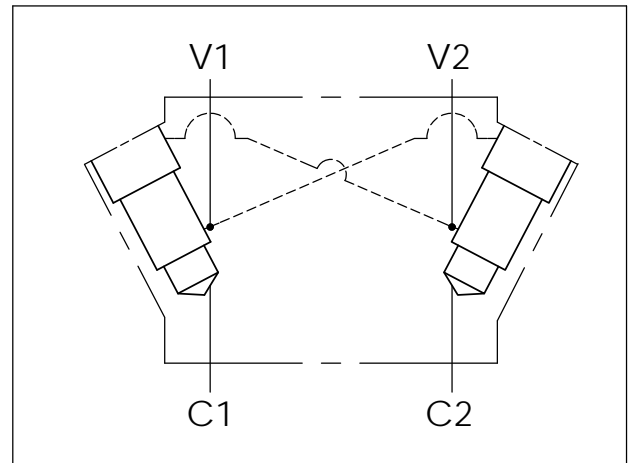


Ordering Code: **ML-60-CDW-X-Y-Z-A41**

Mounting Holes:
Ø8.7mm. diameter
through hole.
2 places.

11A3 Cavity
Locating Shoulder
Depth 17.5 mm.
2 places.

UNIT:mm



TECHNICAL DATA

Aluminum Body Pressure Rating: 210 bar
Ductile Iron
Body Pressure Rating: 350 bar

Cavity:
Refer to 11A3

* Refer to Winner Cartridge Valves Catalog.

| | |
|----------|-------------------------|
| Aluminum | 0.65 kg(WITHOUT VALVES) |
| | |

* If you need the special specification.
Please contact us.

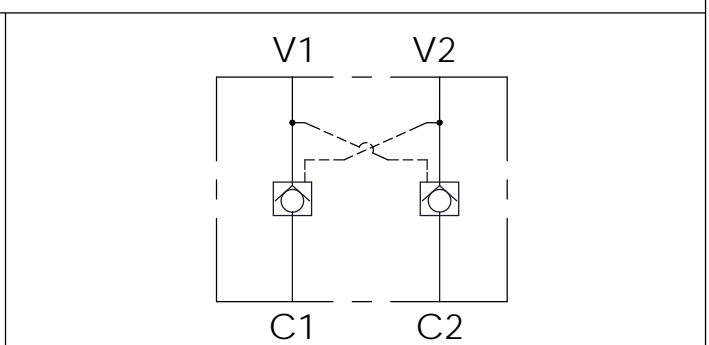
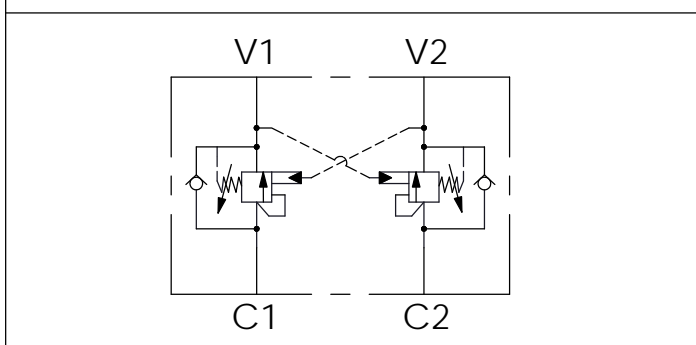
| Y | SELECTION FOR V2 PORT CONTROL | |
|-------------|-------------------------------|--|
| 11A3 | CAVITY ONLY(WITHOUT VALVE) | |
| CB3H | CB11A33HL (3:1 , 280bar) | |
| CO20 | CO11A3020N (2.0bar) | |

The selection is only example. Please refer to Winner Cartridge Program and to select the appropriate valves and manifolds assembly in accordance with request function (flow 、 pressure 、 ... etc.)

| X | SELECTION FOR V1 PORT CONTROL | |
|-------------|-------------------------------|--|
| 11A3 | CAVITY ONLY(WITHOUT VALVE) | |
| CB3H | CB11A33HL (3:1 , 280bar) | |
| CO20 | CO11A3020N (2.0bar) | |

| Z | PORT SIZE | |
|------------|----------------|----------------|
| | PORTS V1,V2 | PORTS C1,C2 |
| G03 | G 3/8" | G 3/8" |
| G04 | G 1/2" | G 1/2" |

HYDRAULIC CIRCUITS(WITH VALVES)



Ordering Code: **ML-60-CDW-CB3H-CB3H-A41**

Ordering Code: **ML-60-CDW-CO20-CO20-A41**