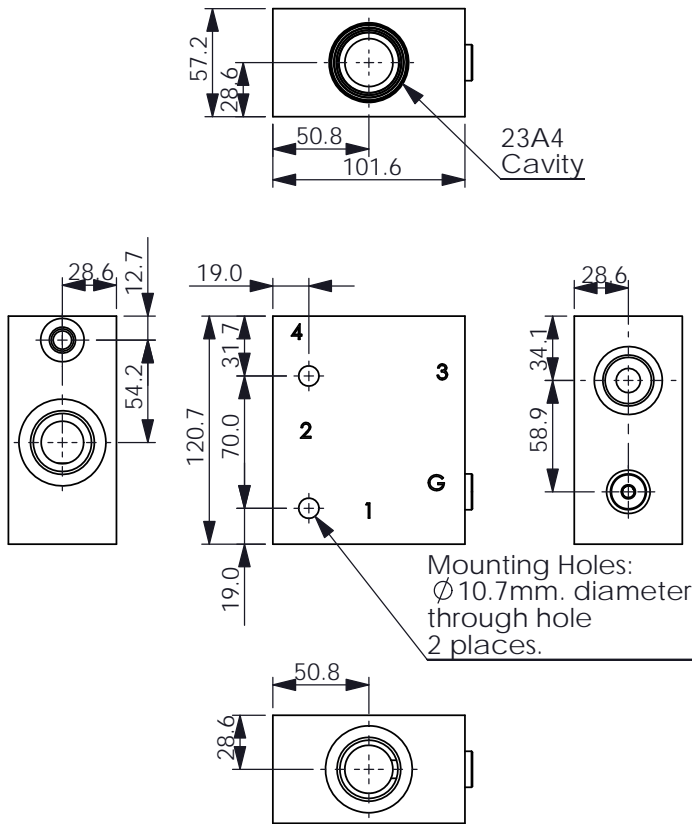
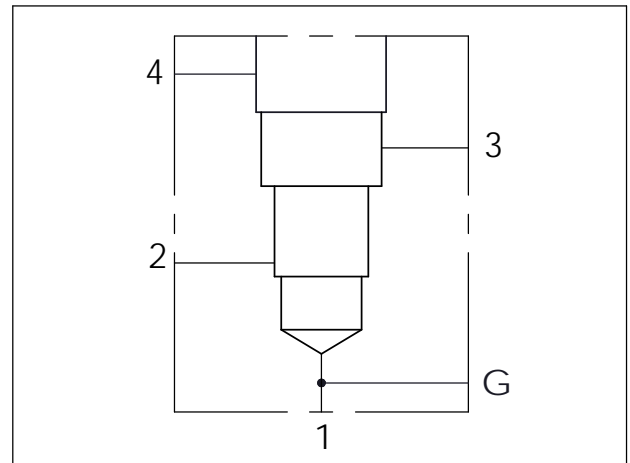


Ordering Code: **ML-23A4-X-Y 01-Z**



UNIT:mm



### TECHNICAL DATA

Aluminum Body Pressure Rating: 210 bar  
Ductile Iron  
Body Pressure Rating: 350 bar

Cavity:

Refer to 23A4

\* Refer to Winner Cartridge Valves Catalog.

Aluminum	1.44 kg(WITHOUT VALVES)
----------	-------------------------

Ductile Iron	3.76 kg(WITHOUT VALVES)
--------------	-------------------------

\* If you need the special specification.  
Please contact us.

### PORT SIZE

X	PORTS			
	1,2	3	4	G
<b>G06AG</b>	G3/4"	G3/4"	G1/4"	G1/4"
<b>G08AG</b>	G 1"	G3/4"	G1/4"	G1/4"
<b>G10AG</b>	G 1-1/4"	G3/4"	G1/4"	G1/4"
<b>S12AG</b>	SAE 12	SAE 12	SAE 6	1/4"NPT

### Y BODY MATERIAL

**A** HIGH-STRENGTH ALUMINUM

**S** DUCTILE IRON

### Z CARTRIDGE VALVES SELECTION

WITHOUT VALVE

**PV0A** PV23A40AL (160LPM,7-210bar)

The selection is only example. Please refer to Winner Cartridge Program and to select the appropriate valves and manifolds assembly in accordance with request function (flow 、 pressure 、 ... etc.)