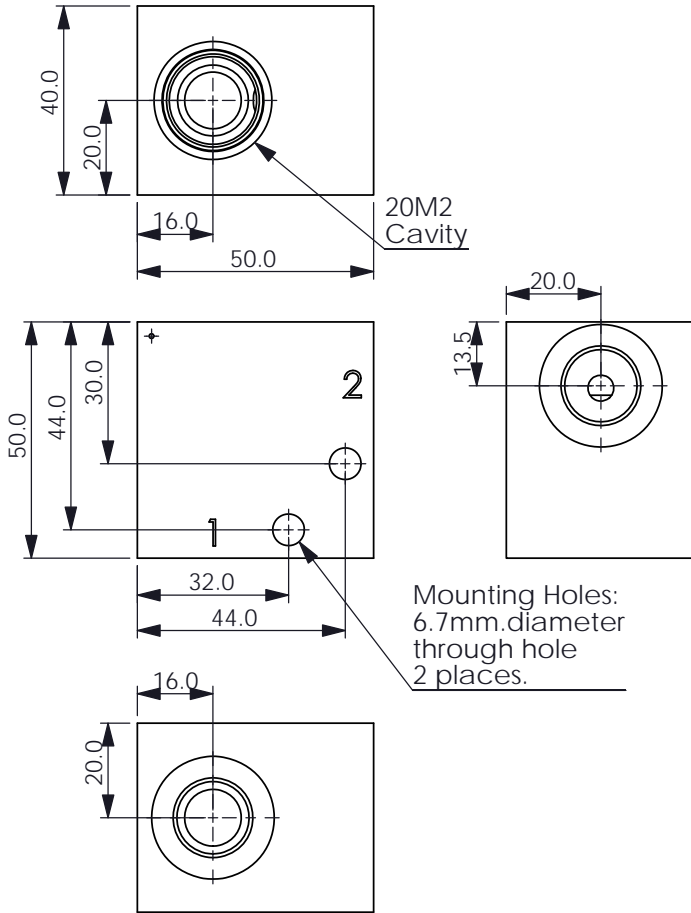
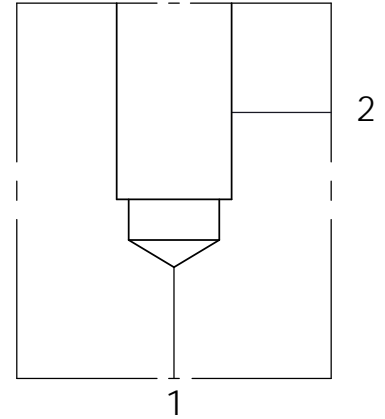
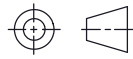


Ordering Code: **ML-20M2-X-Y01-Z**



UNIT:mm



TECHNICAL DATA

Aluminum Body Pressure Rating: 210 bar
 Ductile Iron Body Pressure Rating: 350 bar

Cavity:

Refer to 20M2

* Refer to Winner Cartridge Valves Catalog.

Aluminum	0.25 kg(WITHOUT VALVES)
Ductile Iron	0.65 kg(WITHOUT VALVES)

* If you need the special specification. Please contact us.

PORT SIZE

X	PORT		
	1	2	
G03	G 3/8"	G 3/8"	

Y BODY MATERIAL

A HIGH-STRENGTH ALUMINUM

S DUCTILE IRON

Z CARTRIDGE VALVES SELECTION

WITHOUT VALVE