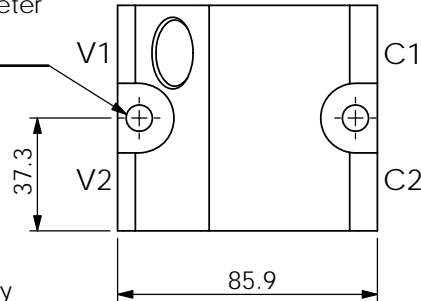
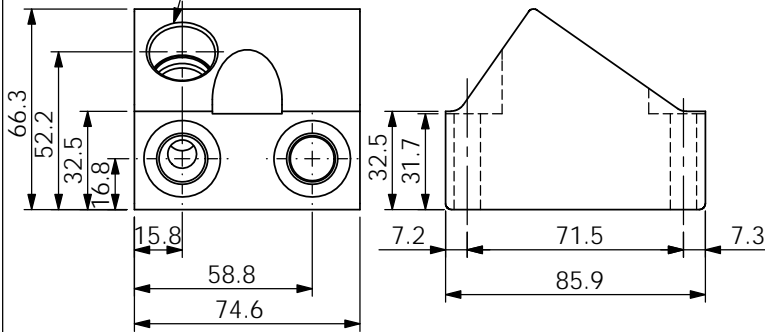


Ordering Code: **ML-11A3-X-Y 41-Z**

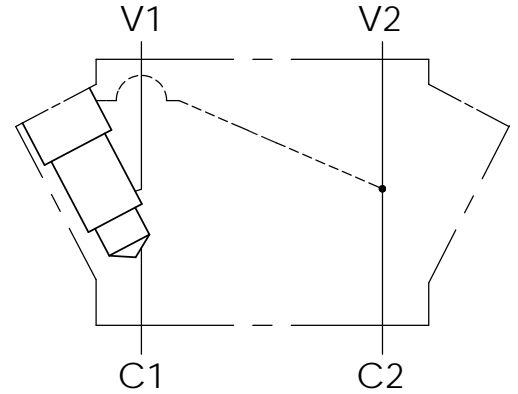
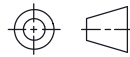
Mounting Holes:
Ø8.7mm. diameter
through hole.
2 places.



11A3 Cavity
Locating Shoulder
Depth 17.5 mm.



UNIT:mm



TECHNICAL DATA

Aluminum Body Pressure Rating: 210 bar
Ductile Iron
Body Pressure Rating: 350 bar

Cavity:

Refer to 11A3

* Refer to Winner Cartridge Valves Catalog.

Aluminum	0.68 kg(WITHOUT VALVES)
Ductile Iron	1.96 kg(WITHOUT VALVES)

* If you need the special specification.
Please contact us.

X

PORT SIZE

PORTS	PORTS	
	V1,V2	C1,C2
G03	G 3/8"	G 3/8"

Y

BODY MATERIAL

A	HIGH-STRENGTH ALUMINUM
S	DUCTILE IRON

Z

CARTRIDGE VALVES SELECTION

	WITHOUT VALVE
CB3H	CB11A33HL (3:1,70-280bar)
CO03	CO11A3003N (0.3bar)

The selection is only example. Please refer to Winner Cartridge Program and to select the appropriate valves and manifolds assembly in accordance with request function (flow 、 pressure 、 ... etc.)