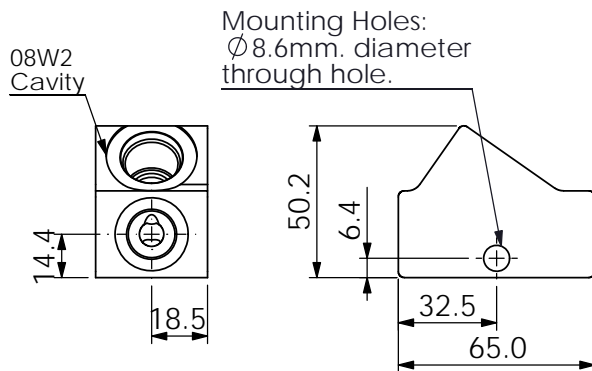
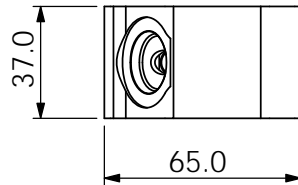
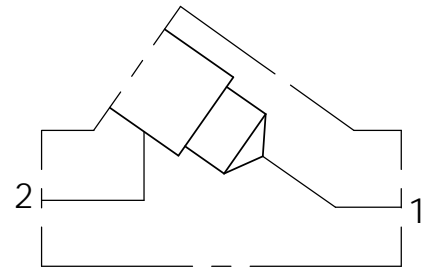
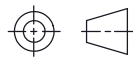


Ordering Code: **ML-08W2-X-Y 41-Z**



UNIT:mm



TECHNICAL DATA

Aluminum Body Pressure Rating: 210 bar
Ductile Iron Body Pressure Rating: 350 bar

Cavity:

Refer to 08W2

* Refer to Winner Cartridge Valves Catalog.

Aluminum	0.19 kg(WITHOUT VALVES)
Ductile Iron	0.56 kg(WITHOUT VALVES)

* If you need the special specification. Please contact us.



X	PORT SIZE		
	PORT	PORT	
	1	2	
G03	G 3/8"	G 3/8"	

Z	CARTRIDGE VALVES SELECTION	
	WITHOUT VALVE	
RD0A	RD08W20AL (20LPM, 80-210bar)	
CV03	CV08W2003N (30LPM, 0.3bar)	
NV0N	NV08W20NL (350bar)	
NC0N	NC08W20NL (350bar)	
EP01	EP08W2A01N05, 40LPM, 350bar (NORMALLY CLOSED, WITHOUT COIL)	
EP02	EP08W2A02N05, 40LPM, 350bar (NORMALLY OPEN, WITHOUT COIL)	

COIL MUST BE ORDERED SEPARATELY
(REFER TO EC-04W-X-Y-Z)

The selection is only example. Please refer to Winner Cartridge Program and to select the appropriate valves and manifolds assembly in accordance with request function (flow \ pressure \ ... etc.)

Y	BODY MATERIAL	
A	HIGH-STRENGTH ALUMINUM	
S	DUCTILE IRON	